

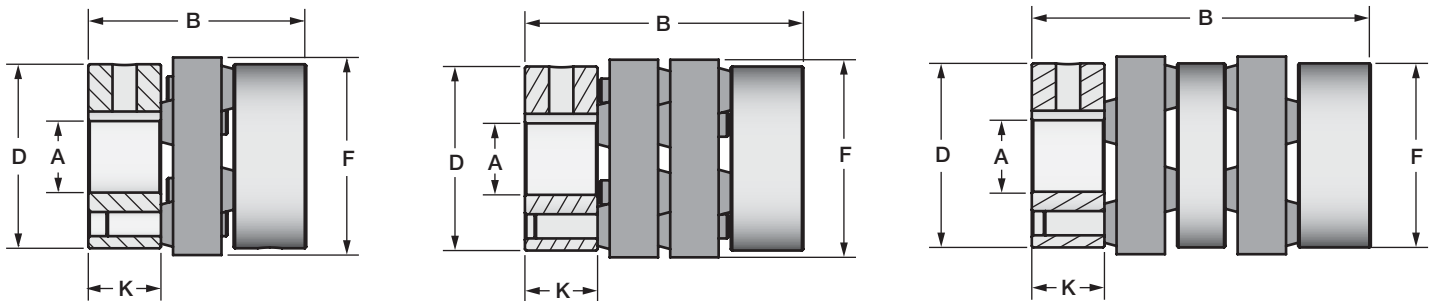
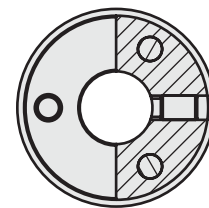
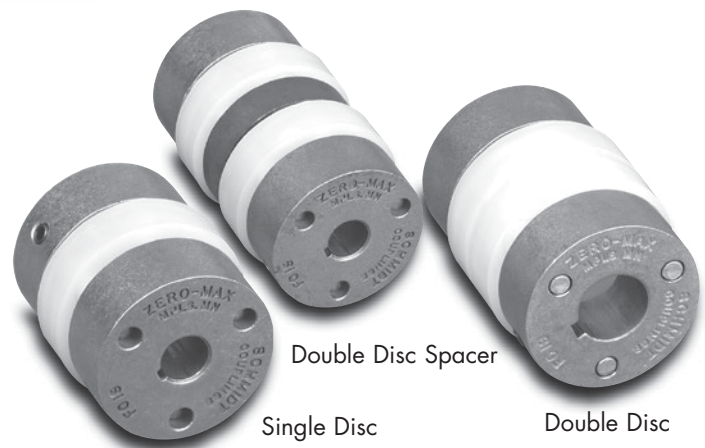
# SCHMIDT *FLEXIBLE* COUPLINGS

Schmidt Flexible Couplings provide precision for slightly misaligned shafts and are designed to adapt to various drive conditions. This coupling uses precision hubs which are connected to the shafts. The molded flexible center disc is preloaded on the precision posts of the end disc which give the coupling zero backlash performance. Different configurations of the coupling and the choice of three durometers (soft, standard, stiff) of the center disc result in the ability of this coupling to be adapted to various drive conditions.

The Flexible Coupling may be built into a floating shaft design by including one coupling at each end of an intermediate shaft.

- Easy Installation
- Electrically Insulating
- Zero Backlash

Among the many applications where the Schmidt Flexible Couplings are used include collators, printing machines, packaging machines and pumps.



## Schmidt Flexible Couplings

Part No.	Coupling Dimensions								Performance Data								
	Hub Diam (Inch) D	Coupling Length (Inch) B	Hub Length (Inch) K	Minimum Bore A		Max Bore A		Flex. Disc Diam (Inch) F	HP/100RPM	Max. Torque (In-Lb)	Torsional Stiffness (In-Lbs. Per Degree)	Maximum Misalignments			Inertia WK <sup>2</sup> (Lb-In <sup>2</sup> )	Net Weight (Lb)	
				(Inch)	(mm)	(Inch)	(mm)					Par (Inch)	Ang (Deg)	Axial (Inch)			
Single Disc	F008A	0.750	0.830	0.281	0.250	7	0.375	10	0.750	0.009	6	4.5	0.005	1	0.008	0.004	0.06
	F011A	1.125	1.375	0.500	0.250	7	0.500	12	1.250	0.025	16	14.0	0.008	1	0.011	0.04	0.25
	F019A	1.900	2.250	0.750	0.500	14	0.875	22	2.040	0.180	115	91.0	0.010	1	0.019	0.46	1.03
	F028A	2.812	2.812	1.000	0.625	16	1.00	25	2.812	0.500	315	264.6	0.010	1	0.025	2.50	2.50
Double Disc	F008B	0.750	0.950	0.281	0.250	7	0.375	10	0.750	0.018	12	9.0	0.005	1	0.008	0.005	0.07
	F011B	1.125	1.688	0.500	0.250	7	0.500	12	1.250	0.050	32	27.0	0.008	1	0.011	0.04	0.27
	F019B	1.900	2.875	0.750	0.500	14	0.875	22	2.040	0.360	230	214.1	0.010	1	0.019	0.55	1.12
	F028B	2.812	3.375	1.000	0.625	16	1.00	25	2.812	1.000	630	531.5	0.010	1	0.025	2.27	2.80
Double Disc Spacer	F011C	1.125	2.125	0.500	0.250	7	0.500	12	1.250	0.025	16	7.0	0.016	2	0.020	0.05	0.34
	F019C	1.900	3.500	0.750	0.500	14	0.875	22	2.040	0.180	115	45.5	0.020	2	0.035	0.66	1.47

Performance Data is based on couplings using standard durometer flex disks. Please contact the factory for performance data and availability of couplings using non-standard durometers.